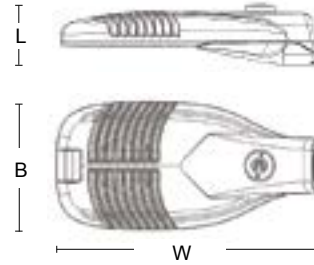


NXT™ SERIES

SPECIFICATIONS

Housing:	Single piece, die-cast A360 aluminium
Operating temperature:	-40°C to +40°C (-40°F to +104°F) ¹
Mounting:	1.625" - 2.375" (42 - 60 mm) O.D. Tenons
Mounting methods:	Horizontal Entry or Post-Top Mount
Lens material:	IK09 Rated Glass
Finish:	Durable polyester powdercoat topcoat
Available colors:	GREY (RAL 7035)



NXT	L	B	W
S	134	287	589
M	134	300	750

Medidas en milímetros



	NXT-S (36 LEDs)	NXT-M (72 LEDs)	
ELECTRICAL			
Drive Current (mA)	700	450	700
Power Consumption (W)	80	100	158
Input Voltage (V)	120-240V (Standard), 277V (Optional)		
Surge Protection	Meets the requirements of ANSI C-High (10kV / 10kA)		
Power Factor	>0.90	>0.90	>0.90

OPTICS & PERFORMANCE			
Photometry (Distribution)	Type II, III, IV, V		
Color Temperature (CCT)	4000K	4000K	4000K
Color Rendering Index (CRI)	~70	~70	~70
4000K Fixture Efficacy (Lm/W)	107	121	109
4000K Fixture Output (Lm)	8,520	12,080	17,160
LED L70 (Hours)	> 100,000 hours (@ maximum drive current)		
Weight	18 lbs (8.2 kg)	26 lbs (11.8 kg)	
EPA Rating	<0.46 ft ² (<0.043 m ²)	<0.9 ft ² (<0.084 m ²)	

PHOTOCELL & CONTROLS	
Photocell Options	20 - year life photocell available.
Control & Monitoring	Dimming power supply (1-10V) is standard equipment. We offer a complete range of control and monitoring solutions.

1. 1250mA maximum temperature is 40°C. 2. Not all model configurations are DLC qualified - consult factory for details. 3. Only products with a CCT of 3000K (or less) meet International Dark Sky Association requirements.
 Values shown are subject to +5% tolerance. Color temperatures shown are + 3000K type 2ES distribution. If post-top version is specified, add 5.4" (137 mm) to overall length dimension. Illustrated above: NXT-S in grey (RAL 7035).
 All information provided is subject to change without notice.

NXT™ SERIES

ORDERING INFORMATION

SERIES	LEDS / BODY	VOLTAGE	RECEPTACLE ²	OPTICS	DRIVE CURRENT
NXT	36S - Small	0 - 120-240V ¹	7 - 7-PIN Receptacle (C136.41)	2LB - Type II Standard	4 - 450mA
	72M - Medium	5 - 277V		3LB - Type III Standard	7 - 700mA
				4AH - ANZ High Throw	
				5RM - Type V Round	

FINISH	TEMPERATURE ³ (CCT)	CERTIFICATION	DRIVER OPTION	MOUNTING METHOD ⁴	OTHER OPTIONS
NXT	3 - 4000K	NM - NOM - México	X - Standard Dimming (1-10V)	2H - 2 Bolt Horizontal Mount	

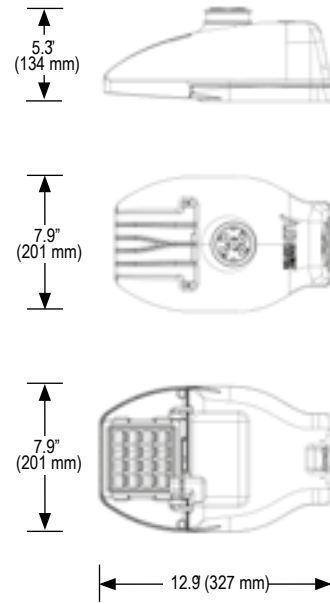
Include shorting caps 120-480V UL/CE with order? YES NO

1. Our drivers will be provided for options 0. Other voltage options to be supplied with third-party drivers. 2. If photocells are required, they must be ordered separately. 3. Other color temperatures available.
 4. If post-top mount required, bracket must be ordered separately. Available with 2 bolt mount only.

By completing the Order Confirmation above, I certify that I am authorized to sign the confirmation on behalf of the company. Information provided is subject to change without notice. LED Roadway Lighting Ltd. supplies and warrants luminaires and proprietary control systems only. It is the responsibility of the client to select lighting poles and mounting arms that are suitable for the application (including but not limited to wind loading, seismic requirements, etc.) and the characteristics of the luminaire (e.g. EPA rating), and to confirm integrity and suitability of existing poles and mounting arms prior to installation.



Housing: Single piece, die-cast A360 aluminium
 Operating temperature: -40°C to +40°C (-40°F to +104°F)¹
 Mounting: 1.625" - 2.375" (42 - 60 mm) O.D. Tenons
 Mounting methods: Horizontal Entry (2 or 4 bolt) or Post-Top Mount (2 bolt)
 Weight: <8 lbs (<3.6 kg)
 EPA Rating: <0.3 ft² (<0.028 m²)
 Ingress Protection: Optical assembly is IP66 rated per IEC 60529/ANSI C136.25
 Luminaire is UL listed for wet locations
 Finish: Durable polyester powdercoat topcoat
 Available colors: GREY (RAL 7035)



NOTE: If post-top version is specified, add 5.4 (137 mm) overall length dimension.



COMPLIES WITH ANSI C136.37

ELECTRICAL	NXT-LITE (16 LEDs)
Drive Current (mA)	1050mA
Power Consumption* (W)	58W
Input Voltage* (V)	120-277V (Standard)
Surge Protection	Meets ANSI C136.2-2015 Extreme Electrical Transient Immunity Requirements (20kV/10kA)
Power Factor	>0.90
Receptacle	7-PIN receptacle (ANSI C136.41)
OPTICS & PERFORMANCE	
Photometry (Distribution Types)	2ES
Color Temperature* (CCT)	4000K
Color Rendering Index* (CRI)	70
Drive Currents (mA)	1050mA
Fixture Efficacy* (Lm/W)	101Lm/W
Fixture Output* (Lm)	5,900Lm
LED L70 (Hours)	> 100,000 hours @ maximum drive current
PHOTOCELL & CONTROLS	
Photocell Options	20 - year life photocell available. Photocells and shorting caps sold separately.
Control & Monitoring	Dimming power supply (1-10V) is standard equipment. DALI option is available with 700mA driver (120-277V) only. We offer a complete range of control and monitoring solutions.
Shielding	House-side shield option available.

* NOTES: VALUES SHOWN ARE SUBJECT TO ±5% TOLERANCE COLOR TEMPERATURE SHOWN IS ±300K. BASED ON 4000K CCT AND TYPE 2ES DISTRIBUTION ONLY PRODUCTS WITH A CCT OF 3000K (OR LESS) MEET INTERNATIONAL DARK SKY ASSOCIATION REQUIREMENTS. ILLUSTRATED ABOVE: NXT-LITE-S IN GREY (RAL 7035) MAXIMUM TEMPERATURE IS +50°C FOR 220 - 277 VAC, +40°C FOR 120V † NOT ALL MODEL CONFIGURATIONS ARE DLC QUALIFIED- CONSULT FACTORY FOR DETAILS. ALL INFORMATION PROVIDED IS SUBJECT TO CHANGE WITHOUT NOTICE.

ORDERING INFORMATION

SERIES	LEDS / BODY	VOLTAGE	RECEPTACLE OPTION	OPTICS
L NXT-LITE	016S Small	5 120-277V	7 7-PIN Receptacle (C136.41)	2ES Type II Max Throw

DRIVE CURRENT	DRIVER OPTIONS	FINISH	TEMPERATURE (CCT)	CERTIFICATION
B 1050mA	S Standard Dimming Driver (1-10V)	GY Gray (RAL 7035)	4 4000K (Standard)	2ES cULus CE European NM NOM - Mexico

MOUNTING METHOD	WIRING CHAMBER	SURGE PROTECTION	OTHER OPTIONS
2 2-Bolt Horizontal Tenon Mount 4 2-Bolt Horizontal Tenon Mount	S Standard	A 20kV /10kA	If applicable, insert 4 digit special product request code (SPR)
<i>If post-top mount required, bracket must be ordered separately. Available with 2 bolt mount only.</i>			

SHORTING CAPS 120-480V UL/CE			
Include shorting caps with order?	YES	<input type="checkbox"/>	NO <input type="checkbox"/>

By completing the Order Confirmation above, I certify that I am authorized to sign the confirmation on behalf of the company. Information provided is subject to change without notice. LED Roadway Lighting Ltd. supplies and warrants luminaires and proprietary control systems only. It is the responsibility of the client to select lighting poles and mounting arms that are suitable for the application (including but not limited to wind loading, seismic requirements, etc.) and the characteristics of the luminaire (e.g. EPA rating), and to confirm integrity and suitability of existing poles and mounting arms prior to installation.