

LOG-LBK010V

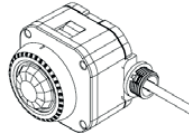
FIXTURE INTEGRATED 0-10V LIGHTING CONTROL FOR DIM-TO-OFF DRIVERS

(476101282 LB SENSOR) (476101282-001 LB LENS)



Features

- Daylight harvesting.
- Remotely configurable.
- Wireless communication.
- Full digital passive infrared for occupancy sensing.
- Powered from driver or any available 12-24VAC / 12-36VDC source.
- Compatible with 0-10V, dim-to-off LED drivers.



Bluetooth programming



Available on the App Store

GET IT ON Google Play

Overview

LOG-LBK010V node enables any lighting manufacturer with a low bay lighting offering to deliver simple, fully connected fixtures. The form factor includes a digital PIR and ambient light sensing for daylight harvesting applications as well as very accurate occupancy detection. Easy to integrate into a low bay fixture through an available half inch knock out, this node bi-directionally communicates data to and from the lighting control network.

Description

LOG-LBK010V is designed to fit into most low bay LED lighting fixtures. The digital PIR sensor is rated up to 1.5 m. Although configurable for advanced bluetooth settings. The LOG-LBK010V is designed for plug and play applications. It is flexible enough for both localized control as well as software driven enhancement an also integration for BACnet through LOGICA's EBOX (LOG-EBOX). The critical data points provided from this node includes occupancy status, light levels and light status.

Application Notes

BASIC		ADVANCED	
· Zoning	· Easy start-up & configuration	· Networking	· Device monitoring / Remote diagnostic
· Addressable	· Scene control	· Scheduling	· Personal control
· Dim-to-Off	· Luminare level control	· BACnet	· Energy monitoring

Compatible Devices



SWITCH
(LOG-ESRP)
(476100273)

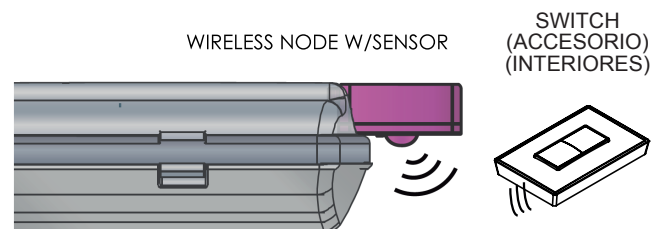


ACCESS POINT
(LOG-AP3)
(476100318)



BACnet GATEWAY
(LOG-EBOX)
(476100316)

Basic Common Application

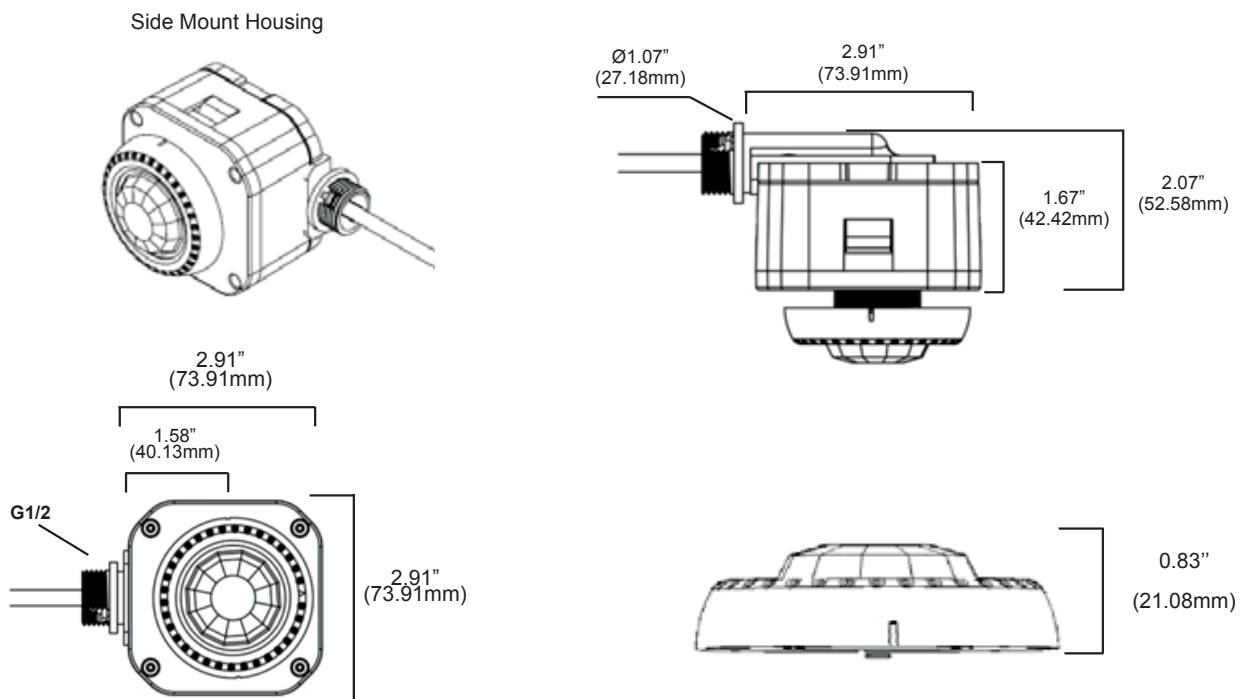


Technical Specifications

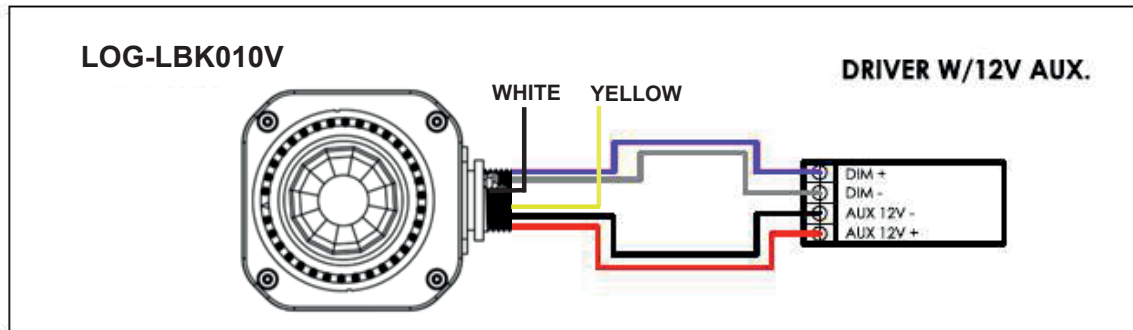
Motion Sensing	Digital Passive IR
Ambient Light Sensing	0-94.8 FC (0-1020 LUX), Photo IC type
Detection Distance	5 m
Detection Range (Horizontal x Vertical)	94° x 82°
Operating Temperature	0° - 60°C
Input Voltage	12-24VAC / 12-36VDC
Output	0-10VDC @ 30 mA (sinking driver) 5 mA (sourcing driver)
Detection Zone	64 Zones
Standby Power	< 1W
Wireless Protocol	EnOcean Wireless Protocol / Casambi /Bluetooth Mesh
Wireless Range	45.72 m (15.24 m - 45.72 m)
Start Up & Configuration	LOG - USB (476100295) & LOGICACONFIG

***Note:** LOGICA® wireless device antenna cannot be enclosed inside a metal box. Wireless range will be greatly limited with enclosed antenna.

Dimensions



Wiring Diagram



NOTE: FOR 0-10V A DIM-TO-OFF DRIVER IS NEEDED IN ORDER TO TURN OFF THE FIXTURE.

Design and specifications are subject to change without notice.