

LOG-LBKO10V



FIXTURE INTEGRATED 0-10V LIGHTING CONTROL FOR DIM-TO-OFF DRIVERS

Features

- Daylight harvesting.
- Remotely configurable.
- Wireless communication.
- Full digital passive infrared for occupancy sensing.
- Powered from driver or any available 12-24VAC / 12-36VDC source.
- Compatible with 0-10V, dim-to-off LED drivers.



LOG-LBKO10V

Overview

LOG-LBKO10V node enables any lighting manufacturer with a low bay lighting offering to deliver simple, fully connected fixtures. The form factor includes a digital PIR and ambient light sensing for daylight harvesting applications as well as very accurate occupancy detection. Easy to integrate into a low bay fixture through an available half inch knock out, this node bi-directionally communicates data to and from the lighting control network.

Description

LOG-LBKO10V is designed to fit into most low bay LED lighting fixtures. The digital PIR sensor is rated for ceilings up to 1.5 m. Although configurable for advanced settings, the LOG-LBKO10V is designed for plug and play applications. It is flexible enough for both localized control as well as software driven enhancement and also integration for BACnet through LOGICA®'s EBOX (LOG-EBOX). The critical data points provided from this node includes occupancy status, light levels and light status.

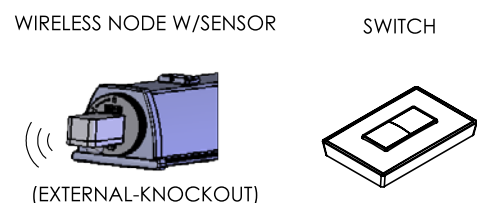
Application Notes

BASIC		ADVANCED	
· Zoning	· Easy start-up & configuration	· Networking	· Device monitoring / Remote diagnostic
· Addressable	· Scene control	· Scheduling	· Personal control
· Dim-to-Off	· Luminaire level lighting control	· BACnet	· Energy monitoring

Compatible Devices



Basic Common Application

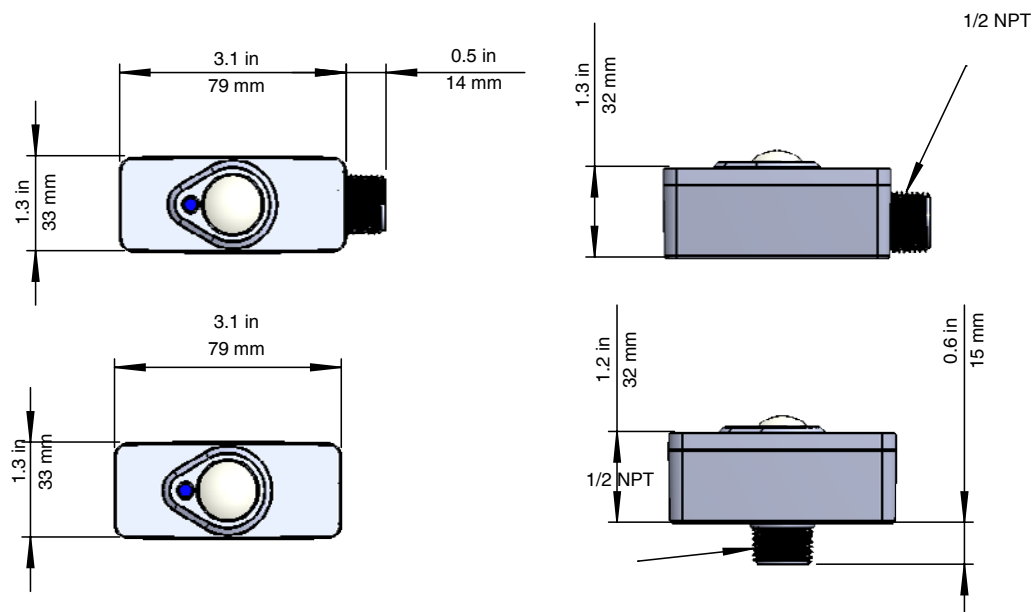


Technical Specifications

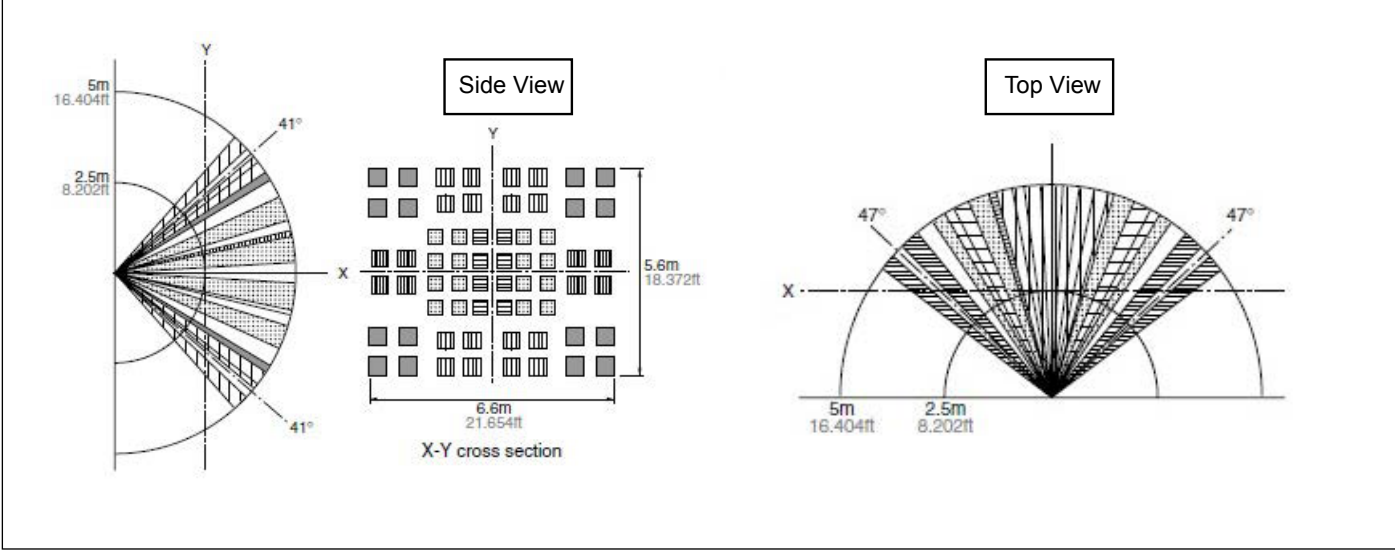
Motion Sensing	Digital Passive IR
Ambient Light Sensing	0-94.8 FC (0-1020 LUX), Photo IC type
Detection Distance	5 m
Detection Range (Horizontal x Vertical)	94° x 82°
Operating Temperature	0° - 60°C
Input Voltage	12-24VAC / 12-36VDC
Output	0-10VDC @ 30 mA (sinking driver) 5 mA (sourcing driver)
Detection Zone	64 Zones
Standby Power	< 1W
Wireless Protocol	EnOcean Wireless Protocol
Wireless Range	45.72 m (15.24 m - 45.72 m)
Start Up & Configuration	LOG-USB (476100295) & LOGICACONFIG

***Note:** LOGICA® wireless device antenna cannot be enclosed inside a metal box. Wireless range will be greatly limited with enclosed antenna.

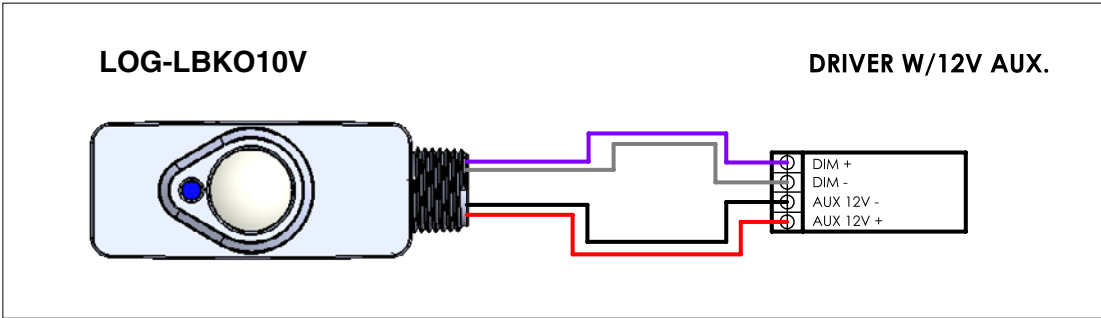
Dimensions



Detection Performance



Wiring Diagram



NOTE: FOR 0-10V A DIM-TO-OFF DRIVER IS NEEDED IN ORDER TO TURN OFF THE FIXTURE.