

LOG-RLY

Lighting Control Relay (Knock-Out)



Features

- Full range dimming for advanced daylighting control.
- Zero crossing activation determined by user.
- Dawn Control (with additional sensor).
- Adjustable ramping speed/rate of dimming.
- Advanced options.
- LOGICACONFIG Software.

Description

LOG-RLY Lighting Control Module responds to a variety of wireless LOGICA® devices to control and dim LED drivers, fluorescent ballasts, or other switchable loads. LOG-RLY offers bi-directional, ON/OFF and 0-10V dimming control when combined with a wireless light switch or automatic shut-off when combined with a wireless occupancy sensor. Additionally, the Lighting Control Module can perform occupancy-based setback dimming and self-contained daylight harvesting functions. LOG-RLY can be paired to compatible devices manually and for more sophisticated configuration, LOGICACONFIG Software available for download.

Operation

LOG-RLY receives signals from wireless sensors, switches and software as well as BACnet to LOGICACONFIG commands using LOG-EBOX.

Applications

LOG-RLY is ideal for single or multiple fixtures on/off or dimming control applications. This device is appropriate for new construction as well as retrofit, including commercial offices, conference rooms, class rooms, hotels, residence halls, common areas and more.

Compatible Devices



SWITCH
(LOG-ESRP)
(476100273)



REMOTE SENSOR
(LOG-ML2)
(476100270)

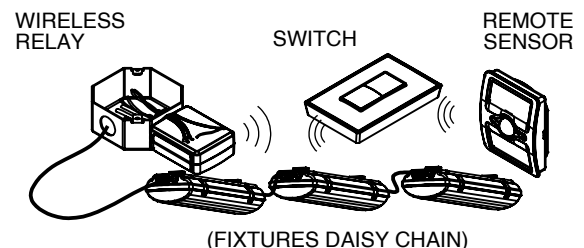


ACCESS POINT
(LOG-AP3)
(476100318)



BACnet GATEWAY
(LOG-EBOX)
(476100316)

Basic Common Application



Technical Specifications

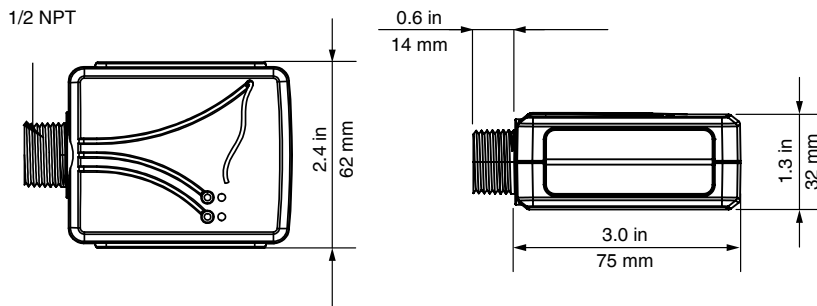
Wireless Range	45.72 m (15.24 m - 45.72 m)
Input Voltage	100-277 VAC
Max Switched Current	15 A
Relay Output	1 N.O. (normally opened) and 1 common contact
Dimmer Output	0-10V, 30 mA (sinking drivers) 5 mA (sourcing drivers)
Ambient Operating Temperature	(0° - 55°C) FOR 3300 W load @ 277 VAC
Start Up & Configuration	LOG-USB (476100295) & LOGICACONFIG

***Note:** LOGICA® wireless device antenna cannot be enclosed inside a metal box. Wireless range will be greatly limited with enclosed antenna.

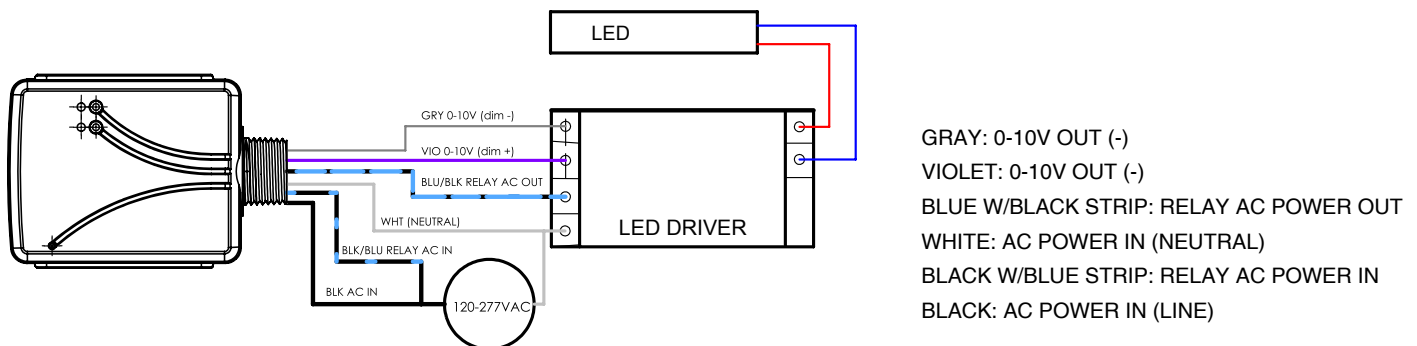
Application Notes

BASIC		ADVANCED	
· Zoning	· Luminaire level lighting control	· Networking	· Device monitoring / Remote diagnostic
· Addressable	· Easy start-up & configuration	· Scheduling	· BACnet
· Dim-to-Off	· Scene control	· Personal Control	· Restricted access

Dimensions



Wiring & Controls Overview



GRAY: 0-10V OUT (-)
 VIOLET: 0-10V OUT (-)
 BLUE W/BLACK STRIP: RELAY AC POWER OUT
 WHITE: AC POWER IN (NEUTRAL)
 BLACK W/BLUE STRIP: RELAY AC POWER IN
 BLACK: AC POWER IN (LINE)